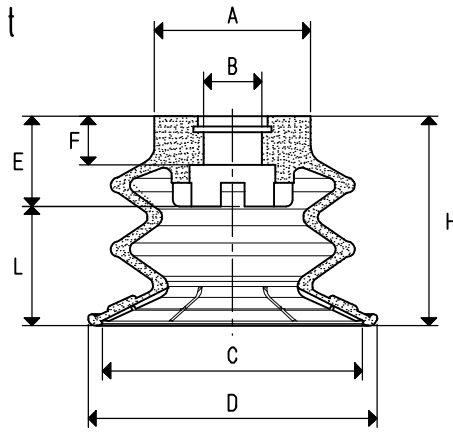
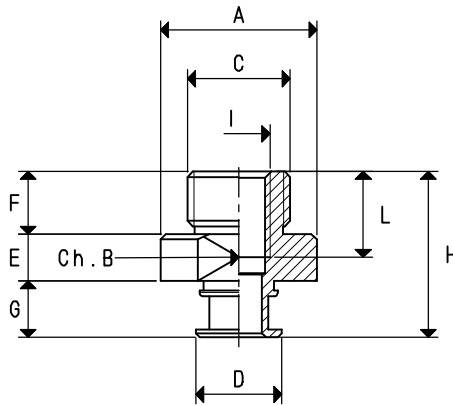


# Bellows cups with male support



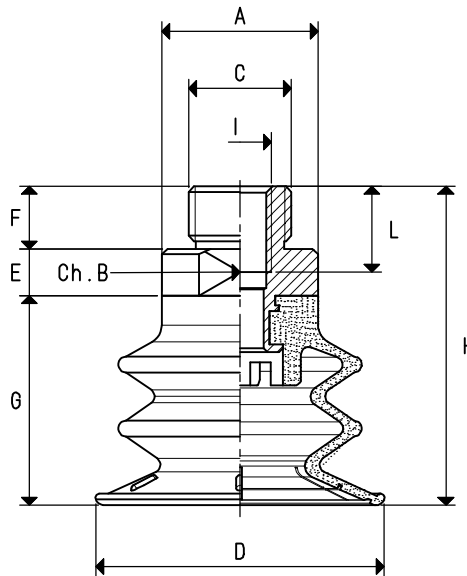
CUPS										
Item	Force Kg.	A $\phi$	B $\phi$	C $\phi$	D $\phi$	E	F	H	L bellows stroke	Volume cm <sup>3</sup>
01 35 27 *	2.26	20.0	7.5	34.0	37.0	11.5	6.2	27	6.8	7.3
01 52 40 *	5.31	27.0	11.5	52.0	55.0	16.0	8.2	39	5.5	25.2

\* Complete the item code indicating the compound: A= oil resistant rubber; N= natural para rubber; S= silicone



## MALE SUPPORTS

Item	A $\phi$	B	C $\phi$	D $\phi$	E	F	G	H	I	L	support material	Cup Item	Weight g.
00 08 394	20	17	G1/8"	11	6.0	8	7.2	21.2	M5	8	aluminium	01 35 27	6.2
00 08 395	27	20	G1/8"	15	7.5	8	9.2	24.7	M5	8	aluminium	01 52 40	13.2
00 08 366	20	17	G1/4"	11	6.0	8	7.2	21.2	M8	11	aluminium	01 35 27	6.1
00 08 364	27	20	G1/4"	15	7.5	8	9.2	24.7	M8	11	aluminium	01 52 40	13.0

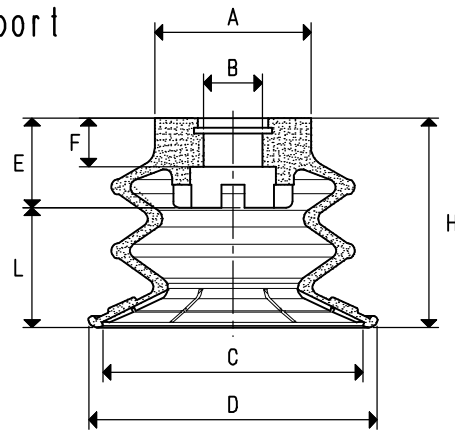


## CUPS WITH MALE SUPPORTS

Item	Force Kg.	A $\phi$	B	C $\phi$	D $\phi$	E	F	G	H	I	L	Cup Item	support Item	Weight g.
08 35 27 1/8 *	2.26	20	17	G1/8"	37	6.0	8	27	41.0	M5	8	01 35 27	00 08 394	13.0
08 52 40 1/8 *	5.31	27	20	G1/8"	55	7.5	8	39	54.5	M5	8	01 52 40	00 08 395	34.5
08 35 27 *	2.26	20	17	G1/4"	37	6.0	8	27	41.0	M8	11	01 35 27	00 08 366	12.9
08 52 40 *	5.31	27	20	G1/4"	55	7.5	8	39	54.5	M8	11	01 52 40	00 08 364	34.3

\* Complete the item code indicating the compound: A= oil resistant rubber; N= natural para rubber; S= silicone

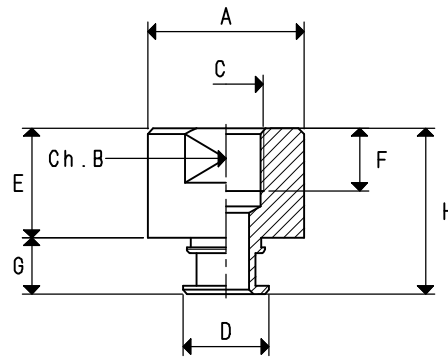
# Bellows cups with female support



## CUPS

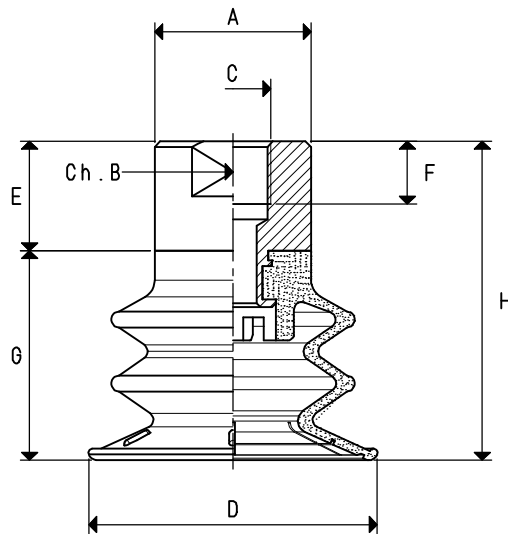
Item	Force Kg.	A ∅	B ∅	C ∅	D ∅	E	F	H	L bellows stroke	Volume cm <sup>3</sup>
01 35 27 *	2.26	20.0	7.5	34.0	37.0	11.5	6.2	27	6.8	7.3
01 52 40 *	5.31	27.0	11.5	52.0	55.0	16.0	8.2	39	5.5	25.2

\* Complete the item code indicating the compound: A= oil resistant rubber; N= natural para rubber; S= silicone



## FEMALE SUPPORT

Item	A ∅	B	C ∅	D ∅	E	F	G	H	support material	Cup Item	Weight g.
00 08 396	20	17	G1/8"	11	14	8	7.2	21.2	aluminium	01 35 27	9.7
00 08 397	27	20	G1/8"	15	14	8	9.2	23.2	aluminium	01 52 40	20.0
00 08 392	20	17	G1/4"	11	14	10	7.2	21.2	aluminium	01 35 27	7.8
00 08 393	27	20	G1/4"	15	14	10	9.2	23.2	aluminium	01 52 40	18.1

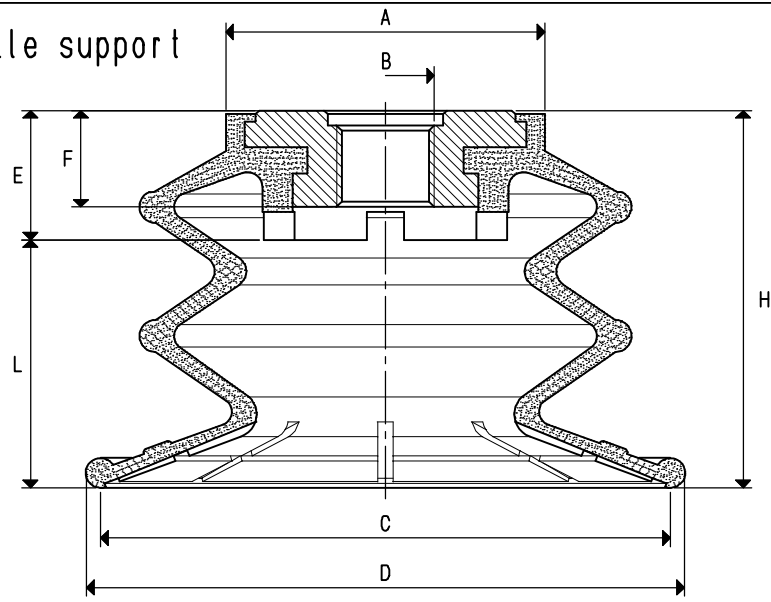


## CUPS WITH FEMALE SUPPORT

Item	Force Kg.	A ∅	B	C ∅	D ∅	E	F	G	H	Cup Item	support Item	Weight g.
08 35 27 1/8 F *	2.26	20	17	G1/8"	37	14	8	27	41	01 35 27	00 08 396	16.5
08 52 40 1/8 F *	5.31	27	20	G1/8"	55	14	8	39	53	01 52 40	00 08 397	41.3
08 35 27 F *	2.26	20	17	G1/4"	37	14	10	27	41	01 35 27	00 08 392	14.6
08 52 40 F *	5.31	27	20	G1/4"	55	14	10	39	53	01 52 40	00 08 393	39.4

\* Complete the item code indicating the compound: A= oil resistant rubber; N= natural para rubber; S= silicone

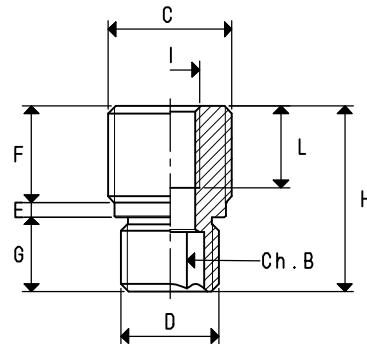
# Bellows cups with male support



## CUPS

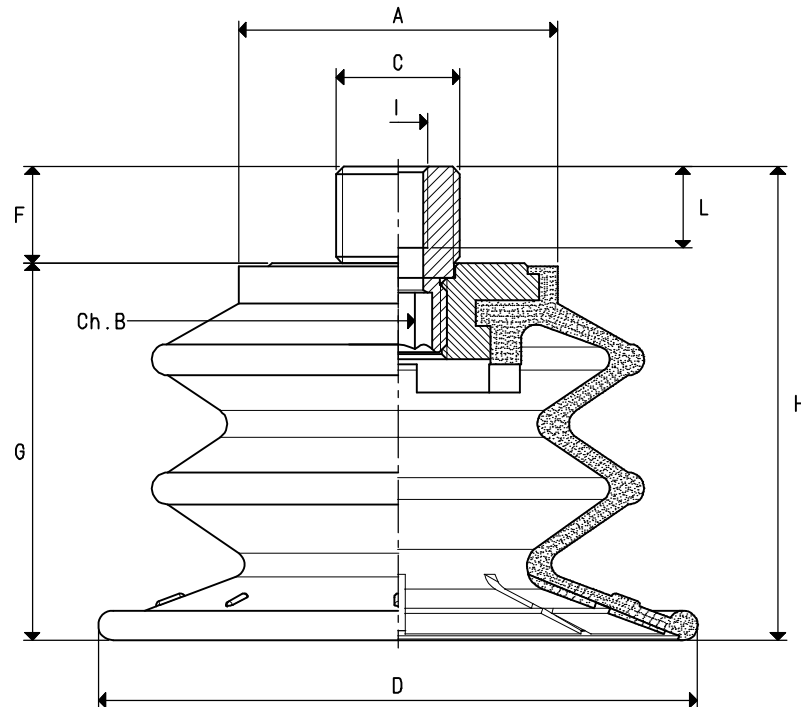
Item	Force Kg.	A $\phi$	B $\phi$	C $\phi$	D $\phi$	E	F	H	L bellows stroke	Volume cm <sup>3</sup>
08 75 43 SR *	11.93	43.0	G1/4"	75.5	80.5	17.5	13.0	50	6.5	74.3
08 110 73 SR *	23.70	63.5	G3/8"	111.0	119.0	25.5	18.5	75	6.9	250.6

\* Complete the item code indicating the compound: A= oil resistant rubber; N= natural para rubber; S= silicone



## MALE SUPPORT

Item	B	C $\phi$	D $\phi$	E	F	G	H	I	L	support material	Cup Item	Weight g.
00 08 373	8	G1/4"	G1/4"	2	10	10.0	22.0	M8	11	aluminium	08 75 43 SR	4.1
00 08 372	8	G3/8"	G1/4"	2	13	10.0	25.0	M8	11	aluminium	08 75 43 SR	7.4
00 08 376	8	G3/8"	G3/8"	3	13	15.5	31.5	M8	11	aluminium	08 110 73 SR	14.1
00 08 375	8	G1/2"	G3/8"	3	13	15.5	31.5	M8	11	aluminium	08 110 73 SR	15.5

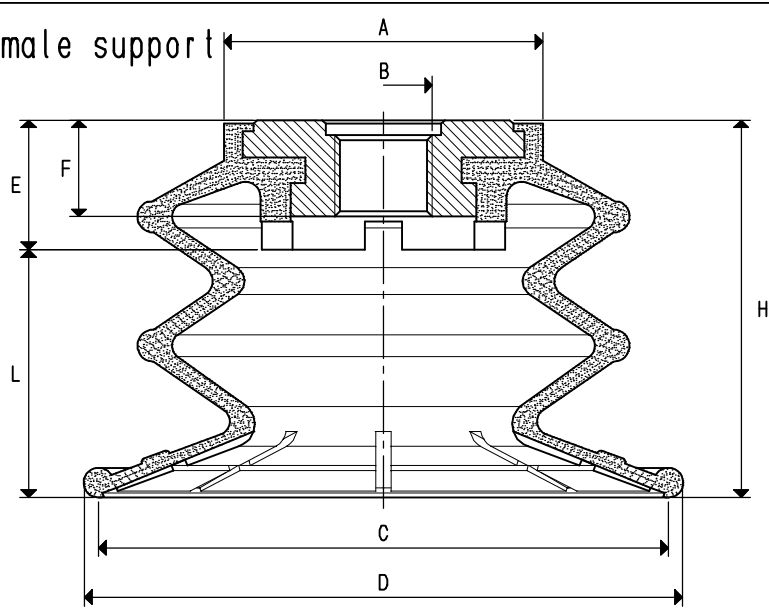


## CUPS WITH MALE SUPPORT

Item	Force Kg.	A $\phi$	B	C $\phi$	D $\phi$	F	G	H	I	L	Cup Item	support Item	Weight g.
08 75 43 M *	11.93	43.0	8	G1/4"	80.5	10	50	60	M8	11	08 75 43 SR	00 08 373	75.0
08 75 43 3/8 M *	11.93	43.0	8	G3/8"	80.5	13	50	63	M8	11	08 75 43 SR	00 08 372	78.3
08 110 73 M *	23.70	63.5	8	G3/8"	119.0	13	75	88	M8	11	08 110 73 SR	00 08 376	220.3
08 110 73 1/2 M *	23.70	63.5	8	G1/2"	119.0	13	75	88	M8	11	08 110 73 SR	00 08 375	221.7

\* Complete the item code indicating the compound: A= oil resistant rubber; N= natural para rubber; S= silicone

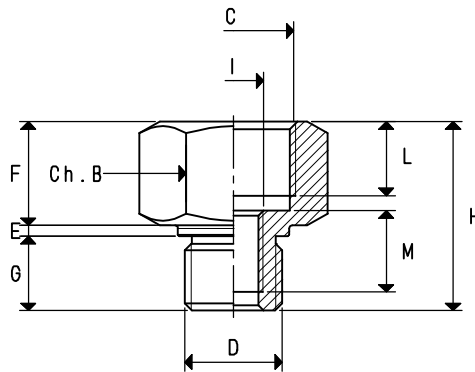
# Bellows cups with female support



CUPS

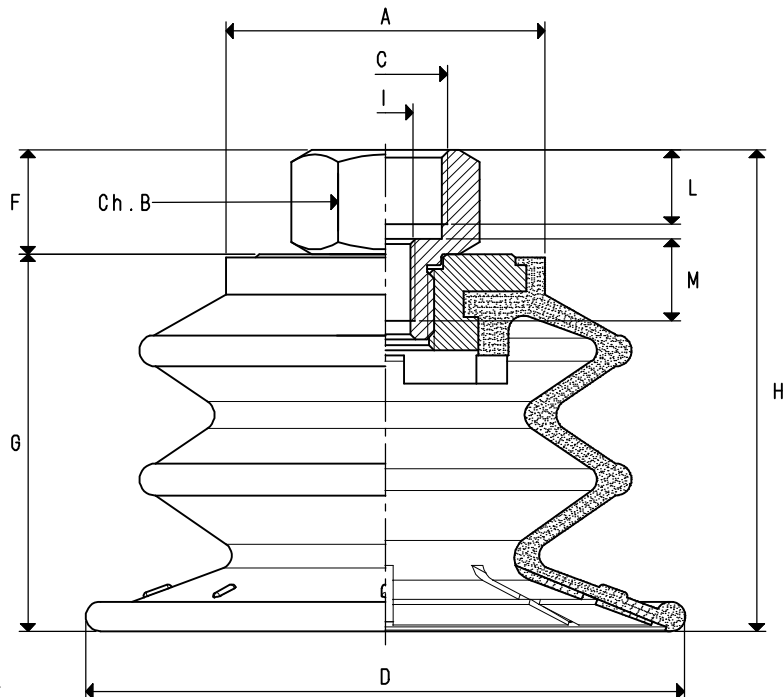
Item	Force Kg.	A φ	B φ	C φ	D φ	E	F	H	L bellows stroke	Volume cm <sup>3</sup>
08 75 43 SR *	11.93	43.0	G1/4"	75.5	80.5	17.5	13.0	50	6.5	74.3
08 110 73 SR *	23.70	63.5	G3/8"	111.0	119.0	25.5	18.5	75	6.9	250.6

\* Complete the item code indicating the compound: A= oil resistant rubber; N= natural para rubber; S= silicone



FEMALE SUPPORT

Item	B	C φ	D φ	E	F	G	H	I	L	M	support material	Cup Item	Weight g.
00 08 374	22	G3/8"	G1/4"	1.5	14	10.0	25.5	M8	10	11	aluminium	08 75 43 SR	12.0
00 08 377	23	G1/2"	G3/8"	3.0	17	15.5	35.5	M8	13	11	aluminium	08 110 73 SR	17.8



CUPS WITH FEMALE SUPPORT

Item	Force Kg.	A φ	B	C φ	D φ	F	G	H	I	L	M	Cup Item	support Item	Weight g.
08 75 43 3/8 *	11.93	43.0	22	G3/8"	80.5	14	50	64	M8	10	11	08 75 43 SR	00 08 374	82.9
08 110 73 1/2 *	23.70	63.5	23	G1/2"	119.0	17	75	92	M8	13	11	08 75 43 SR	00 08 377	224.0

\* Complete the item code indicating the compound: A= oil resistant rubber; N= natural para rubber; S= silicone